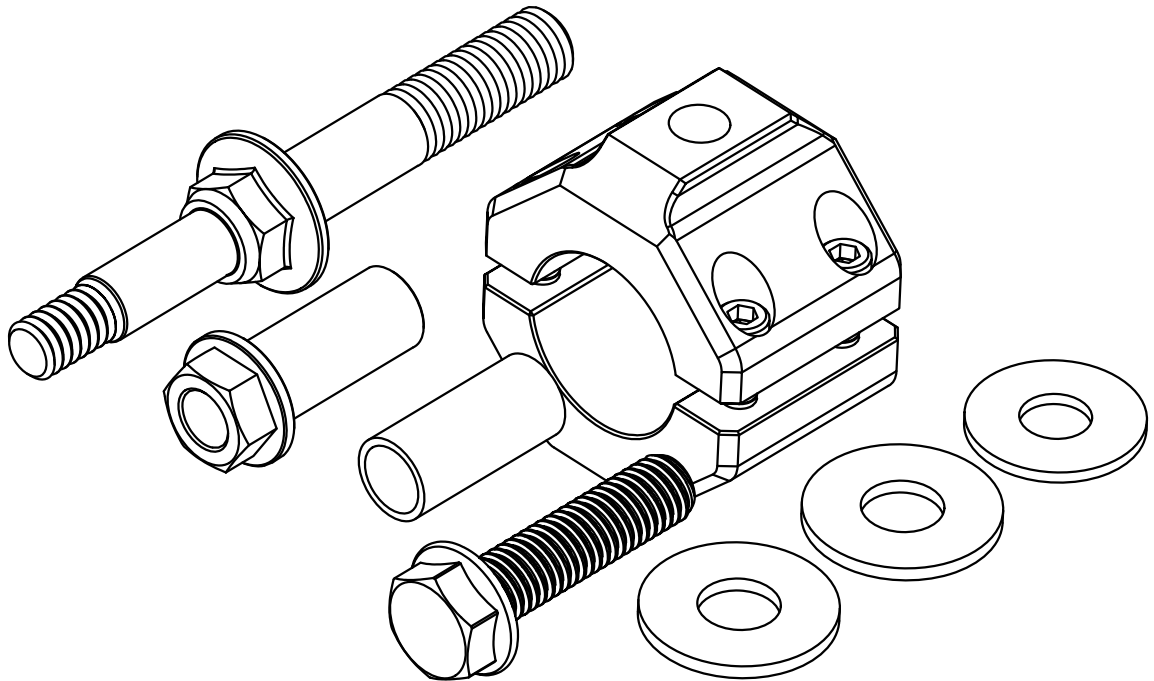




# JK Steering Stabilizer Relocation Kit (for 1-5/8" Tie Rod)

www.teraflex.com

Kit #1123160



## Important Notes:

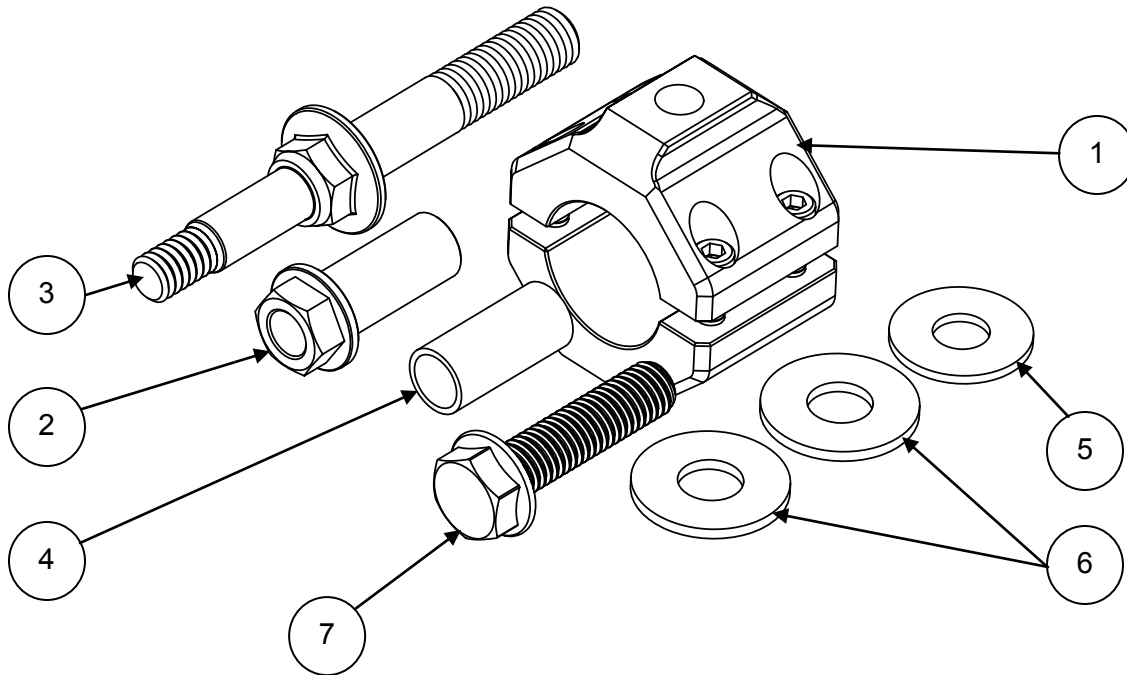
Prior to beginning this or any installation read these instructions to familiarize yourself with the required steps and evaluate if you are experienced and capable to personally perform these modifications. A factory service manual should be used in conjunction with these installation instructions.

Refer to the parts list to ensure that all necessary components and hardware has been included. If any parts are missing please contact your local TeraFlex dealer for assistance.

## Tools needed:

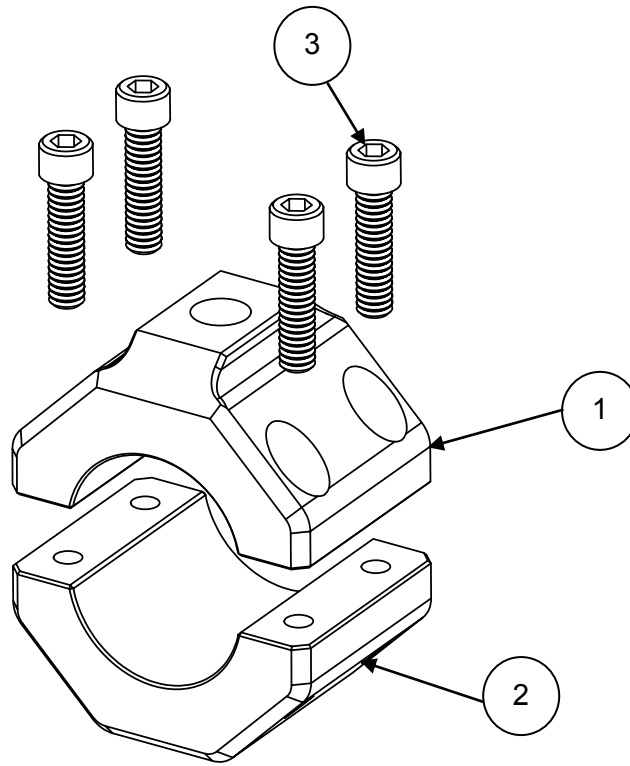
- This installation guide
- Jack
- Jack Stands
- Basic mechanics tool set
- Blue LocTite
- Tape Measure

## Bill of Materials for 1123160



ITEM NO.	PART NUMBER	DESCRIPTION	QTY.
1	123160	1-5/8" Tie Rod Clamp for Steering Stabilizer	1
2	513002	JK Track Bar Steering Stabilizer Relocation Stud Sleeve Nut	1
3	980882	JK Track Bar Bolt/Steering Stabilizer Relocation Mounting Stud	1
4	62148	Steering Stabilizer Bushing Sleeve (1/2" Bore)	1
5	134	Washer 7/16" Flat Zinc Plated	1
6	37	Washer 1/2" Flat Zinc Plated	2
7	559	Bolt 1/2"-13 UNC x 2" Long Hex Head Zinc Plated	1

## Bill of Materials for 123160



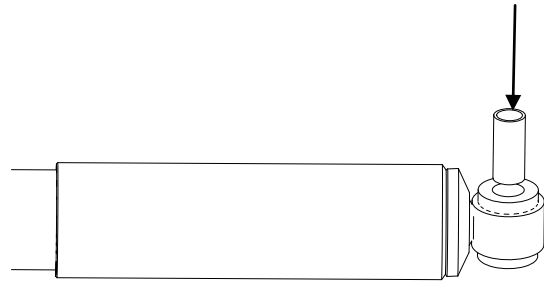
ITEM NO.	PART NUMBER	DESCRIPTION	QTY.
1	123162	Upper Half of 1-5/8" Steering Stabilizer Clamp	1
2	123164	Lower Half of 1-5/8" Steering Stabilizer Clamp	1
3	230	Dacromet Coated 1/4"-20 UNC x 1" Socket Head Cap Screw	4

If you purchased this kit along with the JK HD Tie Rod Kit, install the tie rod completely (see instructions 999180) before proceeding with this kit.

There are two options when mounting your steering stabilizer. To keep your steering stabilizer in the OEM location proceed to step 2. To relocate your steering stabilizer to on top of the tie rod (recommended) proceed to step 4.

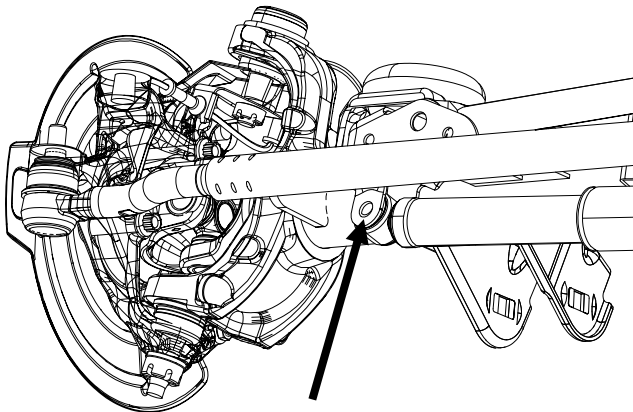
1

Remove the metal sleeve from the piston end of the steering stabilizer and install the supplied 1/2" sleeve (61248).



2

Mount the body end of the stabilizer in the OEM location on the axle using the original hardware. Use an 18mm and torque to 47ft-lbs. Proceed to step 8.



3

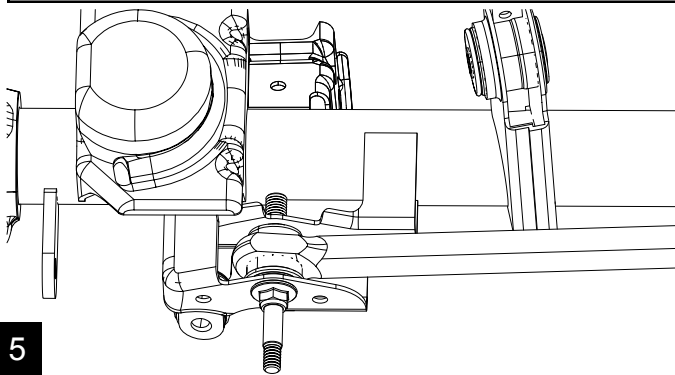
Remove both metal sleeves from the steering stabilizer. Install the supplied 1/2" sleeve (61248) into the piston side of the stabilizer.



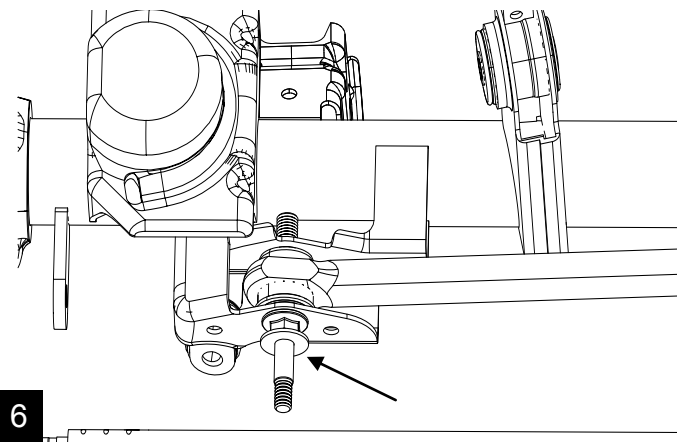
4

With a 21mm, remove the axle side track bar bolt. Replace the bolt with the provided track bar bolt/steering stabilizer stud (980882). Use the factory nut and torque to 125ft-lbs.

Place the 7/6" Washer on to the new track bar stud.

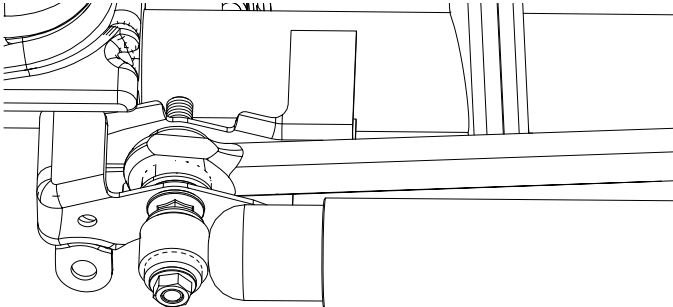


5



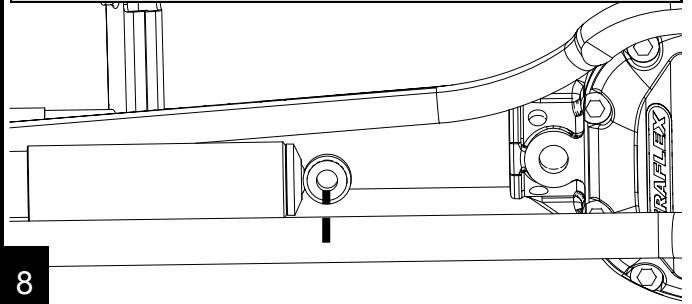
6

Install the body end of the stabilizer onto the stud and install the sleeve nut through the stabilizer bushing. Loosely tighten.



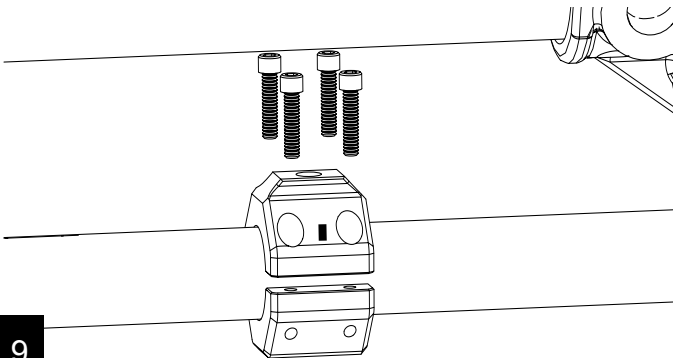
7

Make sure the tires are straight, then manually collapse the steering stabilizer to its centered position. Hint, use a tape measure. Make a mark on the tie rod where the stabilizer eyelet aligns with the tie rod. Note, if you are not relocating your stabilizer, it will be on the bottom of the tie rod.



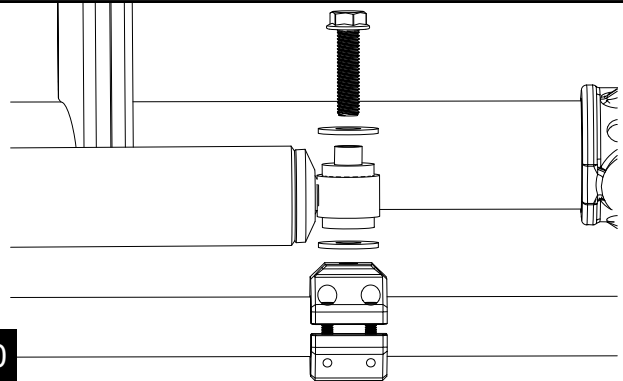
8

Apply Blue Loctite to the threads of the 1/4" Socket Head Cap Screws. Loosely install the clamp, centering it on the mark you just made. Lightly snug in a cross pattern the 4 clamp bolts. Final tightening will be done in step 12



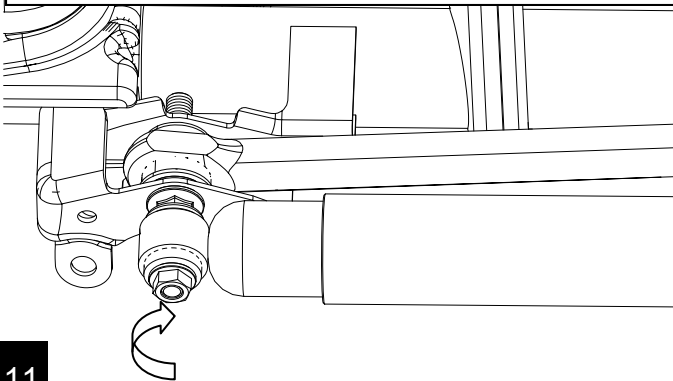
9

Use a 3/4" to install the remaining end of the stabilizer onto the top of the clamp using the 1/2" bolt and two 1/2" washers. Use Blue Loctite and Torque to 47ft-lbs.



10

If you are not relocating your steering stabilizer, skip this step. Use an 18mm to tighten the sleeve nut. Torque to 47 ft-lbs.



11

Have a second person SLOWLY turn the steering wheel lock to lock while you watch the stabilizer. Verify that the stabilizer clears all the components. Once clearance and position of the clamp have been verified, use a 3/16" allen wrench and tighten the 4 clamp bolts in a cross pattern to 6 ft-lbs.

Congratulations! You have successfully installed your TeraFlex Steering Stabilizer Relocation Kit.

12

## PRODUCT INFORMATION

### MAINTENANCE INFORMATION:

It is the buyer's responsibility to have all suspension, drivetrain, steering, and other components checked for proper tightness and torque after the first 100 miles and every 3000 miles after that.

### NOTICE TO INSTALLER:

The enclosed "Warning to Driver" sticker must be installed in the vehicle in driver's view. This sticker is to act as a constant safety reminder when operating the vehicle. It is your responsibility as the equipment installer to install the provided sticker and to forward the product instructions to the vehicle's owner for review. If a "Warning to Driver" sticker or product installation guide were not included in the kit, FREE replacement stickers and instructions are available by request. It is the installer's duty to ensure a safe and controllable vehicle after the modifications have been performed.

### WARNING:

Neither the seller nor the manufacturer will be liable for any loss, damage, or injury directly or indirectly arising from the use of or inability to determine the use of these products. Before using, the user shall determine the suitability of the products for its intended use, and the user shall assume all responsibility and risk in connection therewith.

### WARNING TO DRIVER:

This vehicle has been modified to enhance off road performance and has unique handling characteristics. Use in harsh environments can cause extreme stress on the components. Vehicle should be inspected after being off road to make sure that all the components are in working order and safe to travel on the highway. All fasteners should be checked so that they are at the correct torque specifications as the vibration and stresses from off roading may cause critical fasteners to work loose. Extra care should be taken to inspect the critical components, steering, and brake systems. During each oil change components such as arms, tie rod ends, etc should be greased and checked for excessive wear. Any worn components should be replaced. When returning to the pavement always set or restore tire air pressure to the factory recommendation and connect or engage any disabled sway bar mechanisms. Because of the higher center of gravity and larger tires, this vehicle handles and reacts differently than many passenger cars, both on and off road. You must drive it safely! Extreme care should be taken to prevent vehicle rollover or loss of control, which can result in serious injury or death. Avoid sudden sharp turns or abrupt maneuvers. Generally, braking performance and capabilities are decreased when significantly larger/heavier tires are used, especially when used in combination with transfer case low-range reduction kits. Take this into consideration while driving. Do not add, alter or fabricate any factory or aftermarket parts to increase vehicle height over the intended height of the TeraFlex product purchased. Mixing component brand is not recommended. TeraFlex Inc. will not be responsible for any altered product or any improper installation or use of our products. We will be happy to answer any questions concerning the design, function, and correct use of our products. It is ultimately the buyer's responsibility to have all bolts/nuts checked for tightness after the first 100 miles and then every 3000 miles. Wheel alignment, steering system, suspension and drive line systems must be inspected by a qualified professional mechanic at least every 3000 miles.

### TERAFLEX PRODUCT WARRANTY:

TeraFlex Inc. warrants TeraFlex Suspension products to the original retail purchaser to be free of defects in material and workmanship for as long as the original purchaser owns the vehicle on which products were originally installed.

Failure to complete regular maintenance (grease every 3000 miles) on TeraFlex FlexArms will void this warranty. All other conditions of the standard TeraFlex product warranty apply.

All TeraLow products are covered by the TeraFlex two (2) year warranty to be free of defects in material and workmanship for two years from date purchased.

TeraFlex axles are covered by a 12-month warranty to be free of defects in materials and workmanship.

This warranty does not cover or include product finish, improperly installed or applied products, improperly maintained products, products or components used for racing or competition or damage due to abuse or neglect, products that fail due to the use of larger tire and wheel combinations.

All returns must be accompanied by an original invoice. It is the customer's responsibility to remove the product from the vehicle. Shipping charges are the responsibility of the customer. TeraFlex Inc. will pay the return freight if the product meets the terms of warranty.

This warranty is for the replacement or repair of defective TeraFlex products only and does not include freight charges, labor charges for removal of or installation of TeraFlex or related products or components, costs incurred due to down time of the vehicle, or lost profits due to vehicle down time.

A returned goods authorization number (RGA#) must accompany any returned products. For more information please contact a TeraFlex customer service representative.

### COPYRIGHT

©Copyright 2014. All rights reserved, TeraFlex Inc. Reproduction of this catalog and/or any of its contents without written permission is strictly prohibited.

TeraFlex® is a registered trademark of TeraFlex Inc. All trade names and logos including but not limited to TeraFlex, FlexArms, RockGuard, Monster, and LCG are protected by law and duplication of trade names and/or logos are strictly prohibited.

TeraFlex Inc. reserves the right to update, discontinue, redesign, modify finish, part number or component build parts if deemed necessary without written notice. TeraFlex Inc., and any associated dealers are not responsible for misprints or typographical errors that may have inadvertently been made within this instruction sheet.

Jeep® and the Jeep® grill are registered trademarks of Fiat Chrysler Automobiles N.V., and have no affiliation with TeraFlex Inc.