

Block LED Lamp / Mini Block LED Lamp Installation Instructions

Congratulations on your purchase of a high quality PUTCO product. Should you need any application or technical assistance feel free to call us at: 1-800-357-9261
 Monday-Friday 8:00 a.m. - 5:00 p.m. (Central Standard Time)
 Contact your PUTCO dealer for other quality accessories.

Please read all instructions before installation and to check to see that all parts are included.

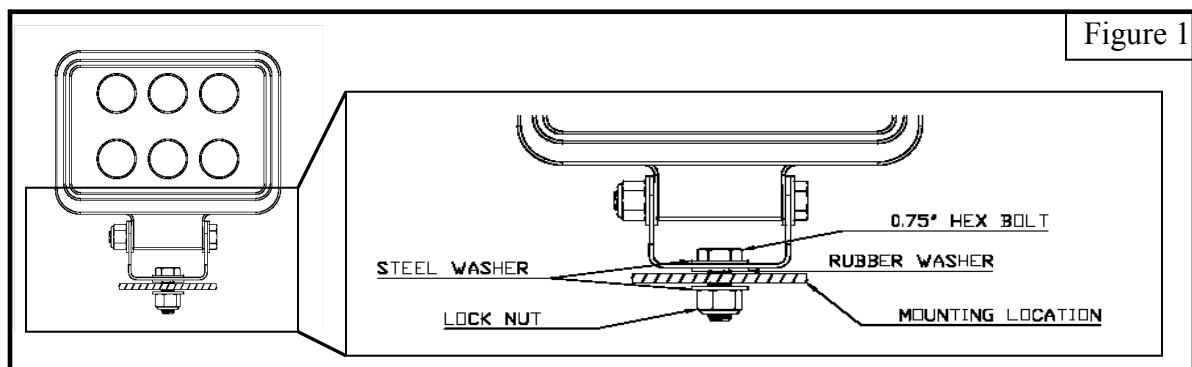
KIT CONTENTS:	
Description	Qty.
Block LED Lamp / Mini Block LED Lamp	1
Wiring Harness	1
Illuminated Switch	1
U Shaped Mounting Bracket	1
1/4"-20 X 3/4" SS Hex Head Bolt	1
1/4"-20 X 2 1/4" SS Cap Screw	1
1/4"-20 Lock Nut	2
Black 1/4" Steel Washer	4
Black 1/4" Rubber Washer	3
Rubber Cap	1

Tools Needed:

- 7/16" wrench
- 9/32" Drill Bit
- 3/4 " Drill Bit
- 3/16" Hex Wrench
- Drill
- File

Block LED Lamp Installation

1. Remove light bar from packaging. Check to see if all parts from above table are included.
2. Remove lower lock nut, and steel washer from block LED lamp. Leave rubber washer on, this will go between the bracket and the mounting location.
3. Place U bracket in desired location. Mark center hole in U bracket. Drill a 9/32" hole in desired location.
4. After hole is drilled, mount block LED light as shown in **(Figure 1)**. Tighten nut with 7/16" wrench.

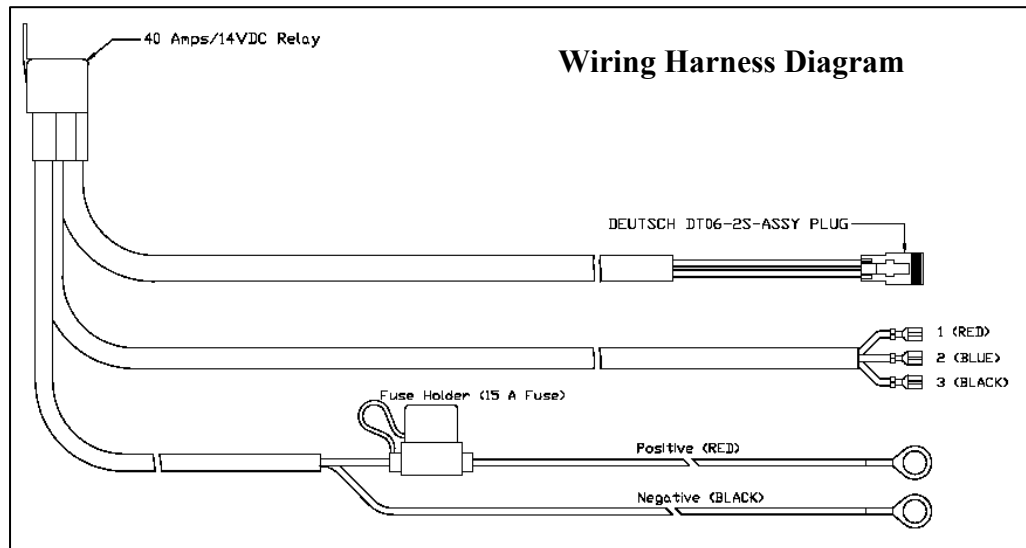


Light Bar in image may differ

LIMITED 2 YEAR WARRANTY

Putco guarantees its Stainless Steel and Aluminum products against defects in workmanship and material for as long as you own your vehicle. All painted products have a 90 day warranty on the painted surface. Any defects resulting from faulty material or workmanship will be warranted by Putco and repaired or replaced at our discretion. Putco assumes no extra labor costs. Damages caused by freight carriers, improper installation, misuse, collision, or neglect will not be warranted by Putco.

Wiring Installation



1. Remove wiring harness and switch from kit.
2. Route wiring harness so that the red and black power cables are routed to the battery, the three switch wires are routed to your desired switch location, and the Deutsch plug is routed to the light bar. Keep wiring away from anything that will get hot.
3. Mount relay with desired hardware in a position under hood or in cab that is limited to water exposure.
4. Plug male (on the wiring harness) and female (on light bar) Deutsch plug connectors together.
5. Drill $\frac{3}{4}$ " hole in desired switch mounting location. Verify there will be enough clearance behind switch to plug in the wires. Notch a small slit in the side of the hole using a file. This will keep the switch from turning.
6. Press switch into hole; verify that the notch made in step 5 lines up with the notch on the switch.
7. Plug wires into switch. Prongs on switch will be marked 1 through 3. **Red** wire goes to **prong 1**, **Blue** wire goes to **Prong 2**, and the **Black** wire goes to **prong 3** (gold prong).
8. Attach power cable to the battery. **Red** goes to **positive** and **black** goes to **negative**.

LIMITED 2 YEAR WARRANTY

Putco guarantees its Stainless Steel and Aluminum products against defects in workmanship and material for as long as you own your vehicle. All painted products have a 90 day warranty on the painted surface. Any defects resulting from faulty material or workmanship will be warranted by Putco and repaired or replaced at our discretion. Putco assumes no extra labor costs. Damages caused by freight carriers, improper installation, misuse, collision, or neglect will not be warranted by Putco.